

PLEASE CHECK WWW.MOLEX.COM FOR LATEST PART INFORMATION

Part Number: [0190080007](#)
Status: **Active**
Description: Flag Krimptite™ Quick Disconnect, Female, for 18-22 (0.80-0.35) Wire, Mylar Tape, Tab 6.35mm (.250") x 0.81mm (.032)

Documents:

[Drawing \(PDF\)](#) [RoHS Certificate of Compliance \(PDF\)](#)

Agency Certification

CSA LR18689
 UL E79133

General

Product Family Quick Disconnects
 Series [19008](#)
 Crimp Quality Equipment Yes
 Product Name Krimptite™
 Type Quick Disconnect

Physical

Barrel Type Closed
 Gender Female
 Glow-Wire Compliant No
 Insulation None
 Lock to Mating Part None
 Material - Metal Brass
 Orientation Flag
 Packaging Type Adhesive Tape on Reel
 Polarized to Mating Part No
 Tab Thickness 0.81mm (.032")
 Tab Width 6.35mm (.250")
 Temperature Range - Operating Per Wire Specification
 Termination Interface: Style Crimp or Compression
 Wire Size AWG 18, 20, 22
 Wire Size mm² 0.35 - 0.80

Electrical

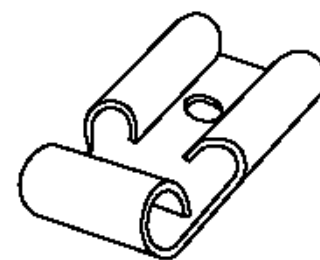
Voltage - Maximum Per Wire Specification

Material Info

Old Part Number AA-1158T

Reference - Drawing Numbers

Sales Drawing SD-19008-013



Series

image - Reference only

EU RoHS

ELV and RoHS Compliant
REACH SVHC Contains SVHC: No
Halogen-Free Status

China RoHS



Halogen-Free

Need more information on product environmental compliance?

Email productcompliance@molex.com
 For a multiple part number RoHS Certificate of Compliance, [click here](#)

Please visit the [Contact Us](#) section for any non-product compliance questions.

Search Parts in this Series

[19008Series](#)

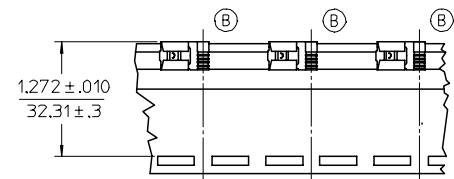
Application Tooling | [FAQ](#)

Tooling specifications and manuals are found by selecting the products below. Crimp Height Specifications are then contained in the Application Tooling Specification document.

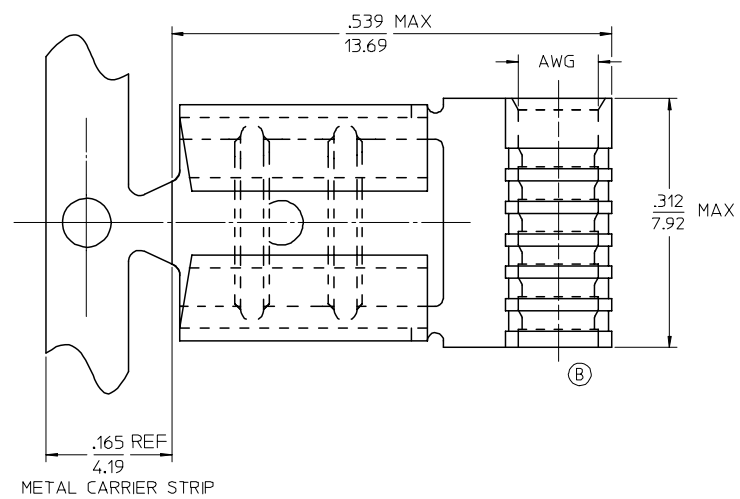
Global

Description	Product #
ATP Perishable Tool Kit used in ATP presses that process product on tape	0190270052

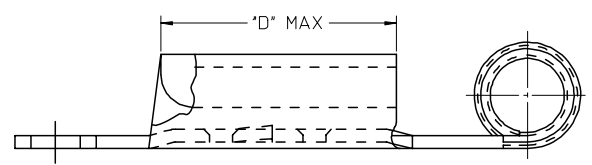
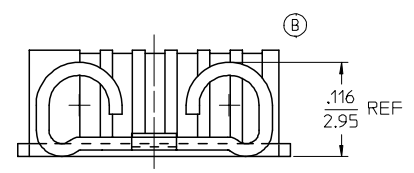
	13	12	11	10	9	8	7	6	5	4	3	2	1
J	MATERIAL NUMBER ON STRIP	ENGINEERING NUMBER ON STRIP	MATERIAL NUMBER LOOSE PIECE	ENGINEERING NUMBER LOOSE PIECE	TAPE MATERIAL NUMBER	TAPE ENGINEERING NUMBER	AWG	TAB SIZE	D MAX				
	190080008	AAZ-1147	190080001	AA-1147	190080004	AA-1147T	22-18	.187 X .020	.257/6.53				
	190080009	AAZ-1147-032	190080002	AA-1147-032	190080003	AA-1147-032T	22-18	.187 X .032	.257/6.53				
	190080013	AAZ-1158	190080006	AA-1158	190080007	AA-1158T	22-18	.250 X .032	.312/7.92	(B)			
	190080028	BBZ-1148	190080019	BB-1148	190080022	BB-1148T	16-14	.187 X .020	.257/6.53				
	190080029	BBZ-1148-032	190080020	BB-1148-032	190080021	BB-1148-032T	16-14	.187 X .032	.257/6.53				
I	190080031	BBZ-1159	190080024	BB-1159	190080027	BB-1159T	16-14	.250 X .032	.312/7.92	(B)			



PARTS ON TAPE



METAL CARRIER STRIP



SALES DRAWING

NOTES:

1. MATERIAL: BRASS .016/0.04 THICK. PLATING ELECTRO-TIN.
2. TAB SIZE SEE CHART.
3. WIRE AWG SEE CHART.
- (B) 4. PART IS ROHS COMPLIANT.

REVISED BARREL & CHART FC NO: ETC2007-0001 DRAWN BY: DRW:NEHLE CHKD: JMACNEIL APPR: RDEROSS 2006/07/13 2006/07/17 2006/07/17	QUALITY SYMBOLS	GENERAL TOLERANCES (UNLESS SPECIFIED) <table border="1"> <tr> <th></th> <th>mm</th> <th>INCH</th> </tr> <tr> <td>4 PLACES</td> <td>± .005</td> <td>± .0005</td> </tr> <tr> <td>3 PLACES</td> <td>± .005</td> <td>± .0005</td> </tr> <tr> <td>2 PLACES</td> <td>± .13</td> <td>± .01</td> </tr> <tr> <td>1 PLACE</td> <td>± .25</td> <td>± .01</td> </tr> </table>		mm	INCH	4 PLACES	± .005	± .0005	3 PLACES	± .005	± .0005	2 PLACES	± .13	± .01	1 PLACE	± .25	± .01	DIMENSION STYLE IN/MM DRAWN BY: BENDERLE DATE: 2005/01/25 CHECKED BY: R DEROSS DATE: 2005/01/25 APPROVED BY: R DEROSS DATE: 2005/01/25 MATERIAL NO. SEE CHART	SCALE: NONE DESIGN UNITS: INCH THIRD ANGLE PROJECTION	TITLE: FLAG QD 22-18 AWG & 16-14 AWG .187X.020&.032,.250X.032 MOLEX INCORPORATED DOCUMENT NO. SD-19008-013 SHEET NO. 1 OF 1
			mm	INCH																
	4 PLACES		± .005	± .0005																
	3 PLACES		± .005	± .0005																
2 PLACES	± .13	± .01																		
1 PLACE	± .25	± .01																		
DESCRIPTION: REV DIMENSIONAL TOLERANCES ANGULAR ±1/2°	DRAFT WHERE APPLICABLE MUST REMAIN WITHIN DIMENSIONS	SIZE: C	THIS DRAWING CONTAINS INFORMATION THAT IS PROPRIETARY TO MOLEX INCORPORATED AND SHOULD NOT BE USED WITHOUT WRITTEN PERMISSION																	